

CAP1300

Quick Installation Guide

09-2017 / v1.0

Edimax Technology Co., Ltd.

No. 278, Xinhua 1st Rd., Neihu Dist., Taipei City, Taiwan

Email: support@edimax.com.tw

Edimax Technology Europe B.V.

Fijenhof 2, 5652 AE Eindhoven, The Netherlands

Email: support@edimax.nl

Edimax Computer Company

3350 Scott Blvd., Bldg.15 Santa Clara, CA 95054, USA

Live Tech Support: 1(800) 652-6776

Email: support@edimax.com

CONTENTS

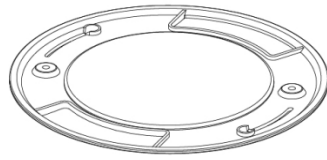
I	Product Information	3
I-1	Package Contents	3
I-2	System Requirements	4
I-3	Hardware Overview	4
I-4	LED Status	4
I-5	Reset	5
II	Quick Setup - AP Mode	6
II-1	Initial Setup	6
II-2	Basic Settings.....	8
II-3	Wi-Fi Protected Setup (WPS)	13
III	Quick Setup - NMS.....	14
IV	Hardware Installation	21
IV-1	Router/PoE Switch	21

I Product Information

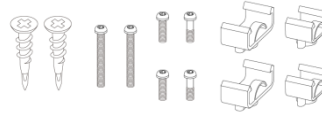
I-1 Package Contents



1



2



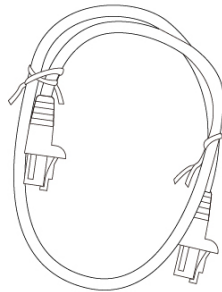
3



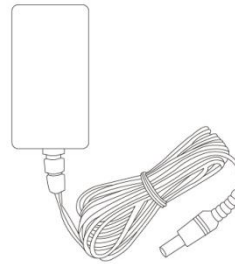
4



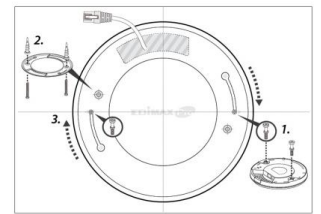
5



6



7



8

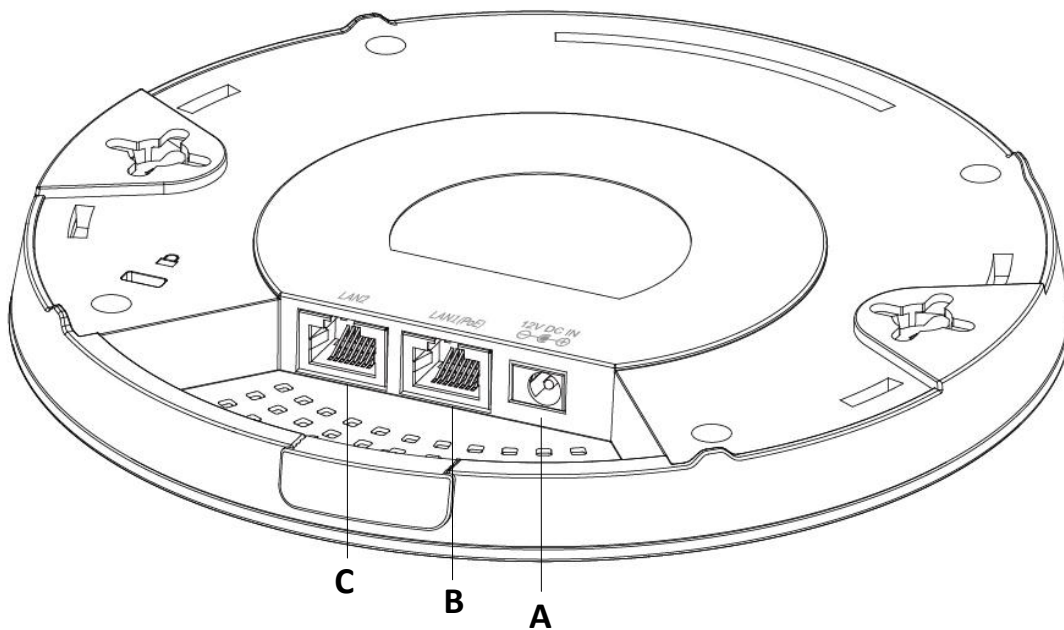
1. CAP1300 Access Point
2. Ceiling Mount Bracket
3. T-Rail Mounting Kit & Screws
4. CD

5. Quick Installation Guide
6. Ethernet Cable
7. Power Adapter
8. Ceiling Mount Screw Template

I-2 System Requirements

- Existing cable/DSL modem & router
- Computer with web browser for access point configuration

I-3 Hardware Overview



- A** 12V DC IN 12V DC port to connect the power adapter
- B** LAN 1 (PoE) LAN port with Power over Ethernet (PoE) IN
- C** LAN 2 LAN port

I-4 LED Status

LED Color	LED Status	Description
Blue	On	The access point is on.
	Flashing Slowly	Upgrading firmware.
	Flashing Quickly	Resetting to factory defaults.
Amber	On	Starting up.
	Flashing	Error.
Off	Off	The access point is off.

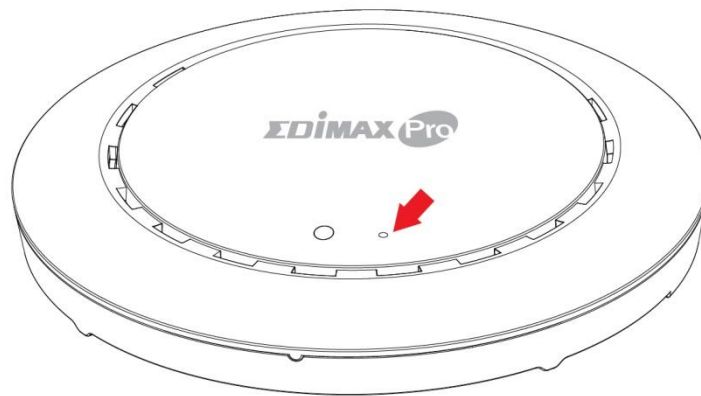
I-5 Reset

If you experience problems with your access point, you can reset the device back to its factory settings. This resets all settings back to default.

1. Press and hold the reset button on the access point for at least 10 seconds then release the button.



You may need to use a pin or similar sharp object to push the reset button.



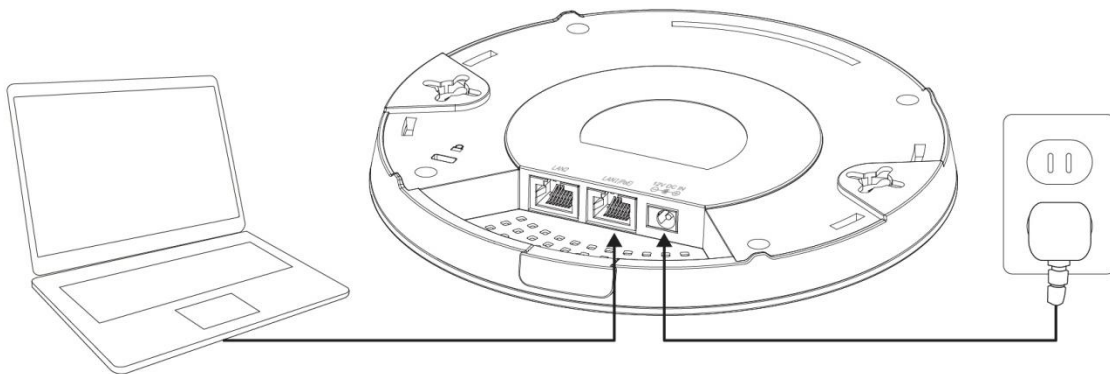
2. Wait for the access point to restart. The access point is ready for setup when the LED is **blue**.

II Quick Setup - AP Mode


Your access point can be up and running in just a few minutes. This quick installation section will help you setup your access point in its default AP mode and configure its basic settings.

II-1 Initial Setup

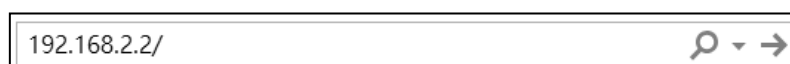
1. Connect the access point to a computer via Ethernet cable.
2. Connect the power adapter to the access point's 12V DC port and plug the power adapter into a power supply.



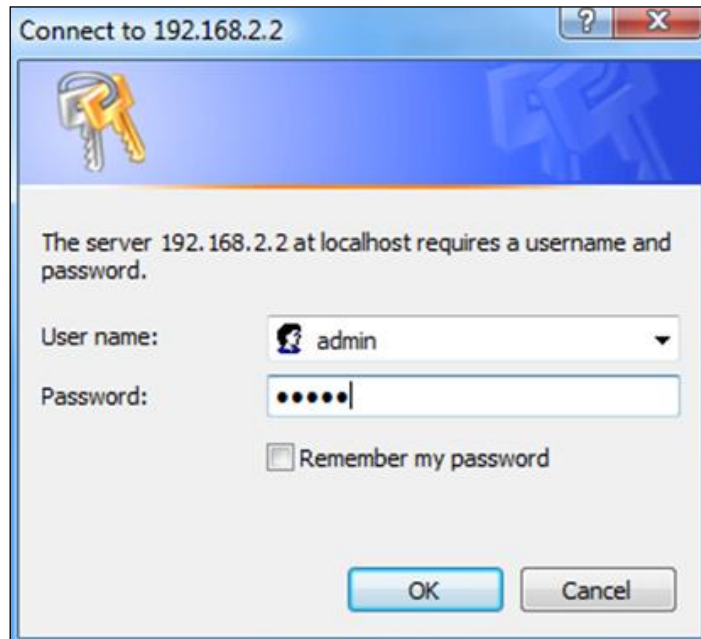
3. Please wait a moment for the access point to start up. The access point is ready when the LED is **blue**.
4. Set your computer's IP address to **192.168.2.x** where **x** is a number in the range **3 – 100**. If you are unsure how to do this, please refer to the user manual for more information.

 **Please ensure there are no other active network connections on your computer by disabling Wi-Fi and other Ethernet connections.**

5. Enter the access point's default IP address **192.168.2.2** into the URL bar of a web browser.



6. You will be prompted for a username and password. Enter the default username “admin” and the default password “1234”.



7. “System Information” home screen will be shown:

System Information		
System		
Model	[blurred]	
Product Name	AP801F02F1968A	
Uptime	0 day 00:41:03	
System Time	2012/01/01 00:40:45	
Boot from	Internal memory	
Firmware Version	1.8.1	
MAC Address	80:1F:02:F1:96:8A	
Management VLAN ID	1	
IP Address	192.168.2.2	<input type="button" value="Refresh"/>
Default Gateway	---	
DNS	---	
DHCP Server	---	

Wired LAN Port Settings		
Wired LAN Port	Status	VLAN Mode/ID
LAN1	Connected (100 Mbps Full-Duplex)	Untagged Port / 1
LAN2	Disconnected (---)	Untagged Port / 1

II-2 Basic Settings

Basic settings of the access point are:

- **LAN IP Address; and**
- **2.4GHz & 5GHz SSID & Security; and**
- **Administrator Name & Password; and**
- **Time & Date**



It is recommended that these settings are configured before using the access point.

Whenever a new setting is applied to the access point, the webpage will reload, as shown below:

Configuration is complete. Reloading now...

Please wait for seconds.

Instructions below will help you configure these settings:


Changing IP Address:

- 1.** Go to **“Network Settings” > “LAN-side IP Address”** for the screen below:

LAN-side IP Address

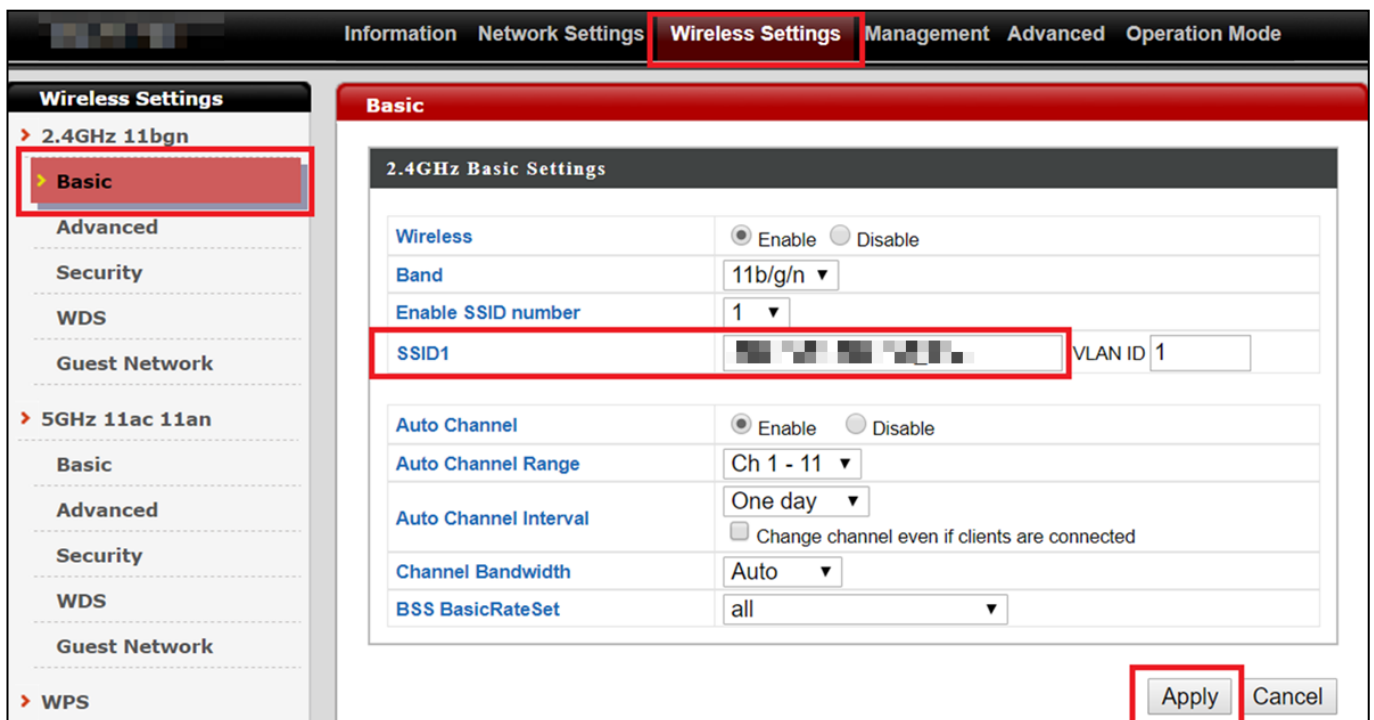
LAN-side IP Address	
IP Address Assignment	DHCP Client ▼
IP Address	<input type="text" value="192.168.2.2"/>
Subnet Mask	<input type="text" value="255.255.255.0"/>
Default Gateway	From DHCP ▼ <input type="text"/>
Primary DNS Address	From DHCP ▼ <input type="text" value="0.0.0.0"/>
Secondary DNS Address	From DHCP ▼ <input type="text" value="0.0.0.0"/>

2. Enter the IP address settings you wish to use for your access point. You can use a dynamic (DHCP) or static IP address, depending on your network environment. Click “Apply” to save the changes and wait a few moments for the access point to reload.


 **When you change your access point’s IP address, you need to use the new IP address to access the browser based configuration interface instead of the default IP 192.168.2.2.**

Changing SSID for 2.4GHz wireless network

1. Go to “Wireless Settings” > “2.4GHz 11bgn” > “Basic”.
2. Enter the new SSID for your 2.4GHz wireless network in the “SSID1” field and click “Apply”.



The screenshot shows the 'Wireless Settings' page for a 2.4GHz 11bgn network. The 'Basic' tab is selected. The '2.4GHz Basic Settings' section includes fields for 'Wireless' (Enable/Disable), 'Band' (11b/g/n), 'Enable SSID number' (1), 'SSID1' (highlighted with a red box), and 'VLAN ID' (1). Below this, there are settings for 'Auto Channel' (Enable/Disable), 'Auto Channel Range' (Ch 1 - 11), 'Auto Channel Interval' (One day), 'Channel Bandwidth' (Auto), and 'BSS BasicRateSet' (all). At the bottom right, the 'Apply' button is highlighted with a red box.

 **To utilize multiple 2.4GHz SSIDs, open the drop down menu labelled “Enable SSID number” and select how many SSIDs you require. Then enter a new SSID in the corresponding numbered fields below, before clicking “Apply”.**

Enable SSID number	2 ▼		
SSID1		VLAN ID	1
SSID2		VLAN ID	1

Configuring Security Settings of 2.4GHz wireless network

1. Go to “Wireless Settings” > “2.4GHz 11bgn” > “Security”.
2. Select an “Authentication Method”, enter or select fields where appropriate, and click “Apply”.

Information Network Settings **Wireless Settings** Management Advanced Operation Mode

Wireless Settings

- > 2.4GHz 11bgn
 - Basic
 - Advanced
 - Security**
 - WDS
 - Guest Network
- > 5GHz 11ac 11an
 - Basic
 - Advanced
 - Security
 - WDS
 - Guest Network
- > WPS
- > RADIUS
 - RADIUS Settings
 - Internal Server

Security

2.4GHz Wireless Security Settings

SSID	<input type="text"/>
Broadcast SSID	Enable ▾
Wireless Client Isolation	Disable ▾
802.11k	Disable ▾
Load Balancing	50 /50
Authentication Method	No Authentication ▾
Additional Authentication	No additional authentication ▾

2.4GHz Wireless Advanced Settings

Smart Handover Settings

Smart Handover	<input type="radio"/> Enable <input checked="" type="radio"/> Disable
RSSI Threshold	-80 ▾ dB

Apply Cancel



If multiple SSIDs are used, specify which SSID to configure using the “SSID” drop down menu.

2.4GHz Wireless Security Settings


SSID	<input type="text"/>
Broadcast SSID	<input type="text"/>
Wireless Client Isolation	Disable ▾
802.11k	Disable ▾
Load Balancing	50 /50
Authentication Method	No Authentication ▾
Additional Authentication	No additional authentication ▾

Changing SSID and Configuring Security Setting for 5GHz wireless network

Follow the steps outlined in “Changing SSID for 2.4GHz wireless network” and “Configuring Security Setting for 2.4GHz wireless network” but choose the 5GHz option instead.

Changing Admin Name and Password

1. Go to “**Management**” > “**Admin**” as shown below:



The screenshot shows a web-based management interface. At the top, there is a navigation bar with tabs: Information, Network Settings, Wireless Settings, Management (highlighted with a red box), Advanced, and Operation Mode. On the left side, there is a sidebar menu under the heading "Management" with options: Admin (highlighted with a red bar), Date and Time, Syslog Server, Ping Test, and I'm Here. The main content area is titled "Admin" and contains a section "Account to Manage This Device". This section has three input fields: "Administrator Name" with the value "admin", "Administrator Password" with masked characters "*****" and a note "(4-32Characters)", and a second "Administrator Password" field with masked characters "*****" and a note "(Confirm)". An "Apply" button is located at the bottom of the form.

2. Complete the “Administrator Name” and “Administrator Password” fields and click “Apply”.

Changing Date and Time

1. Go to “Management” > “Date and Time”.

The screenshot shows the 'Date and Time' configuration page. The top navigation bar includes 'Information', 'Network Settings', 'Wireless Settings', 'Management' (highlighted), 'Advanced', and 'Operation Mode'. The left sidebar shows 'Management' with sub-items: 'Admin', 'Date and Time' (highlighted), 'Syslog Server', 'Ping Test', and 'I'm Here'. The main content area is titled 'Date and Time' and contains three sections: 'Date and Time Settings', 'NTP Time Server', and 'Time Zone'.
- 'Date and Time Settings': Includes 'Local Time' with dropdowns for Year (2012), Month (Jan), and Day (1), and input fields for Hours (0), Minutes (00), and Seconds (00). A button 'Acquire Current Time from Your PC' is present.
- 'NTP Time Server': Includes 'Use NTP' (checkbox, disabled), 'Auto Daylight Saving' (checkbox, checked), 'Server Name' (dropdown set to 'User-Defined' and an empty text field), and 'Update Interval' (input field set to 24, labeled '(Hours)').
- 'Time Zone': Includes a dropdown menu for 'Time Zone' set to '(GMT+08:00) Taipei, Taiwan'.
Buttons 'Apply' and 'Cancel' are at the bottom right.

2. Set the correct time and time zone for your access point using the drop down menus. The access point also supports NTP (Network Time Protocol) so, alternatively, you can enter the host name or IP address of a time server. Click “Apply” when you are finished.



You can use the “Acquire Current Time from your PC” button if you wish to set the access point to the same time as your PC.

The basic settings of your access point are now configured. Please refer to **IV Hardware Installation** for guidance on connecting your access point to a router or PoE switch.

II-3 Wi-Fi Protected Setup (WPS)

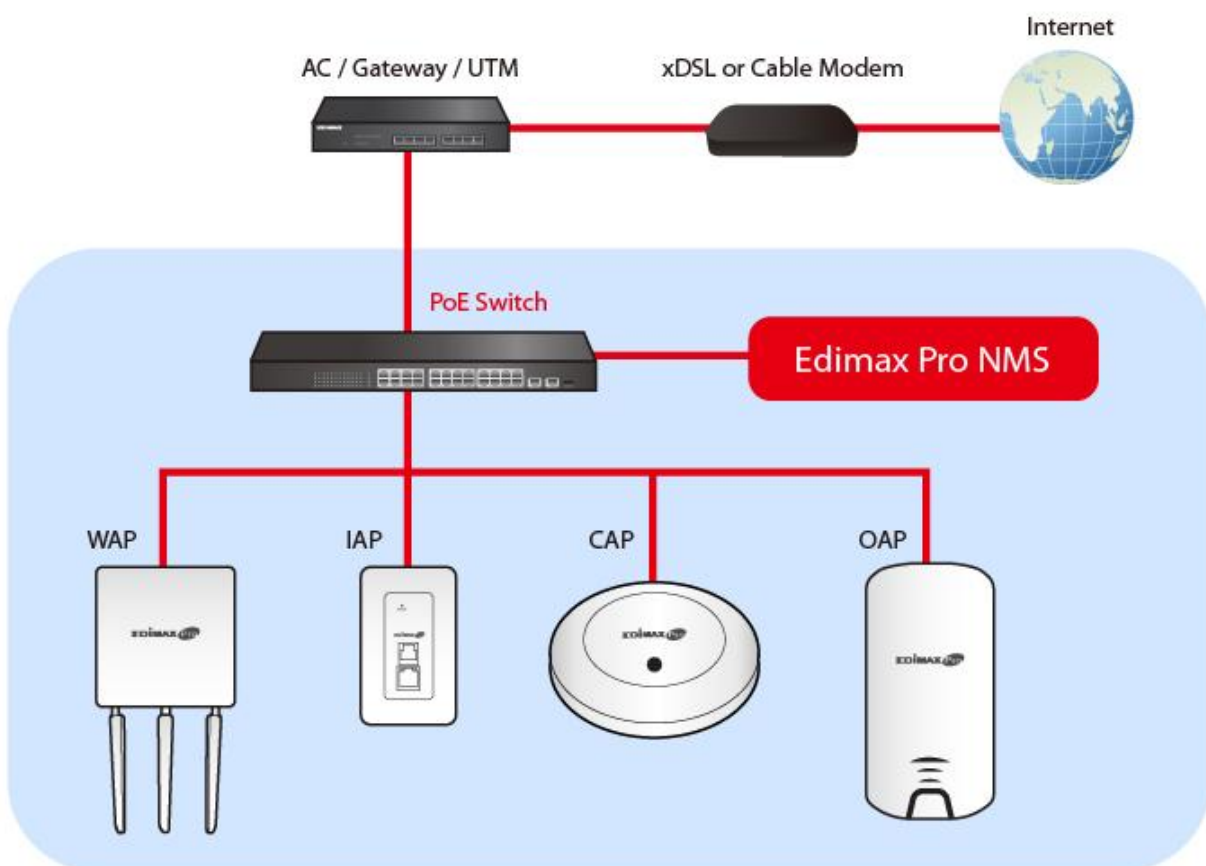
Wi-Fi Protected Setup is a simple way to establish connections between WPS compatible devices. You can use the WPS button or the configuration webpage activate the access point's WPS function.

- 1.** Go to **“Wireless Settings”** > **“WPS”** on your configuration webpage.
- 2.** Check the checkbox of **“Enable”** and click **“Apply”** to turn on WPS function.
- 3.** Within two minutes, activate WPS on your WPS-compatible wireless device. Please check the documentation of your wireless device for information regarding its WPS function.
- 4.** The devices will establish a connection.

III Quick Setup - NMS

Edimax Pro Network Management Suite (NMS) supports the central management of a group of access points, otherwise known as an AP Array. NMS can be installed on one access point and support up to 16 Edimax Pro access points with no additional wireless controller required, reducing costs and facilitating efficient remote AP management.

Edimax Pro NMS is simple to setup. An overview of the system is shown below:



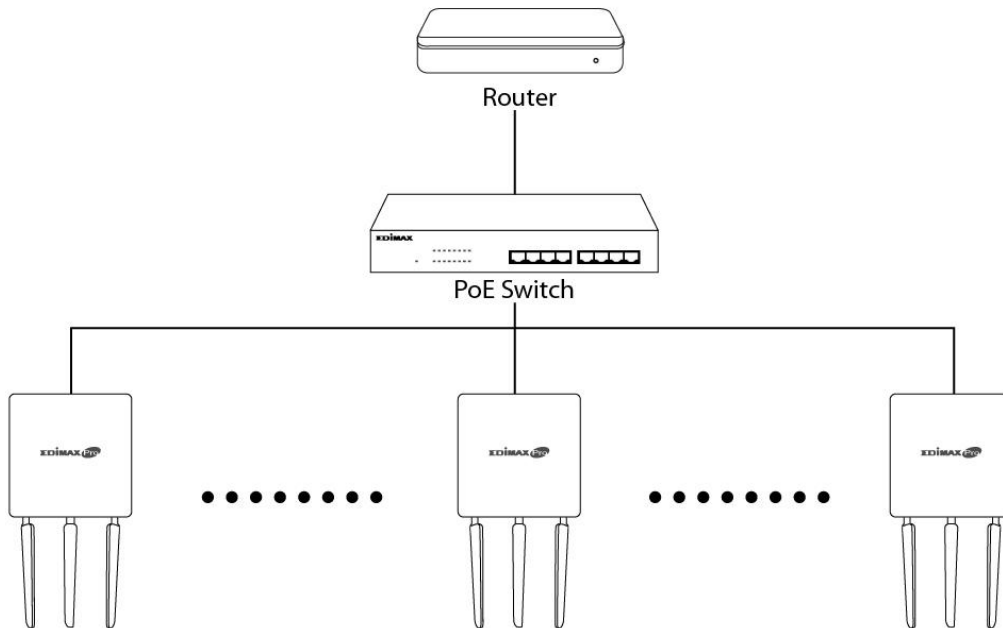
One AP (access point) is designated as the AP Controller (master) and other connected Edimax Pro APs are automatically designated as Managed APs (slaves). Using Edimax Pro NMS you can monitor, configure and manage all Managed APs (up to 16) from the single AP Controller.

Follow the steps below:

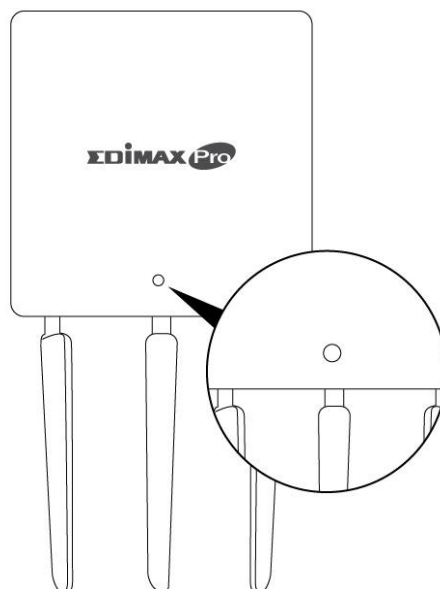


Ensure you have the latest firmware from the Edimax website for your Edimax Pro products.

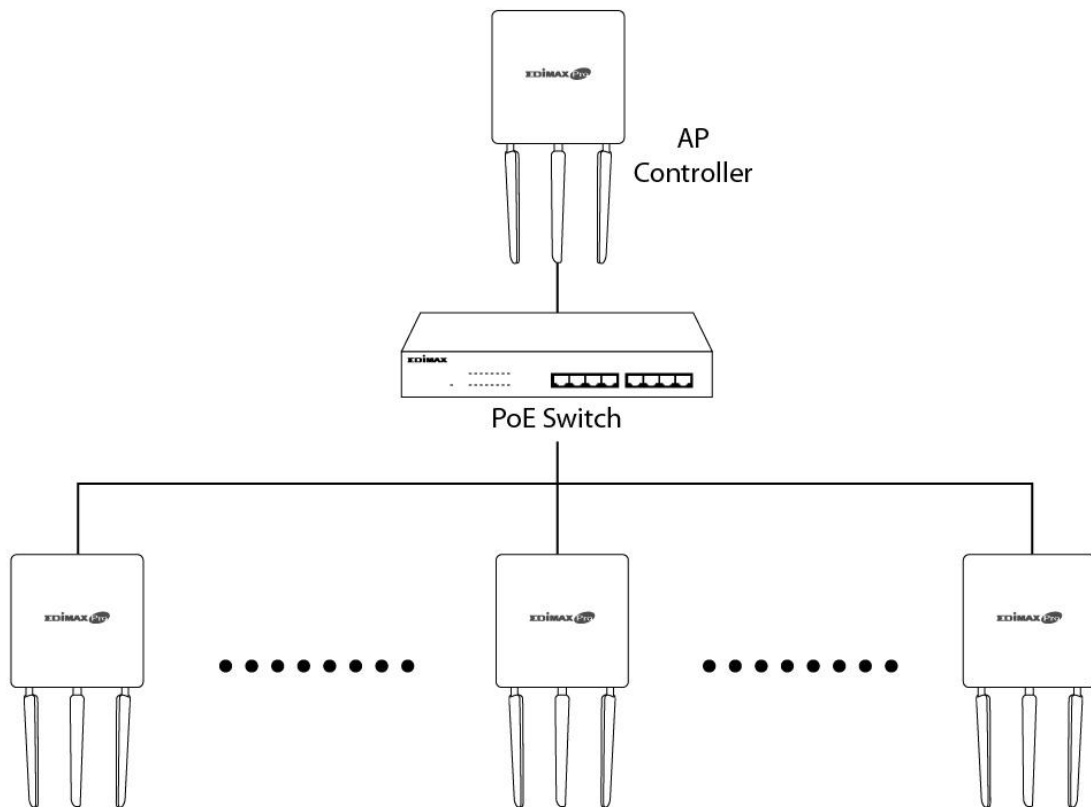
- 1.** Connect all APs to an Ethernet or PoE switch which is connected to a gateway/router.



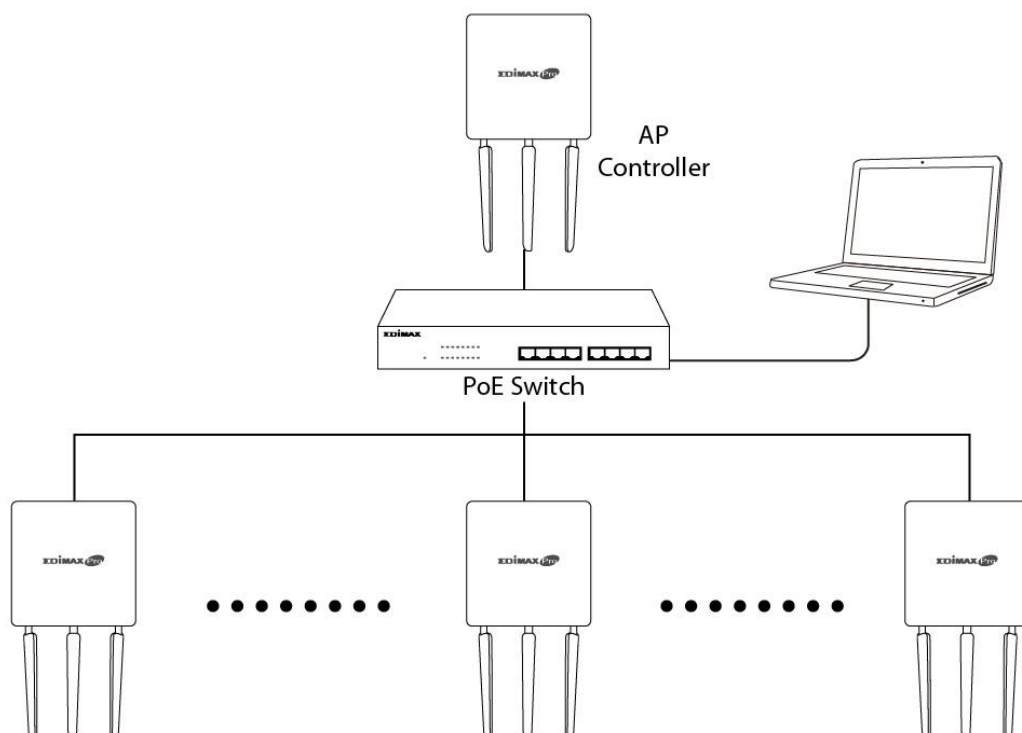
- 2.** Ensure all APs are powered on and check their LEDs.




- 3.** Designate one AP as the AP Controller which will manage all other connected APs (up to 16).

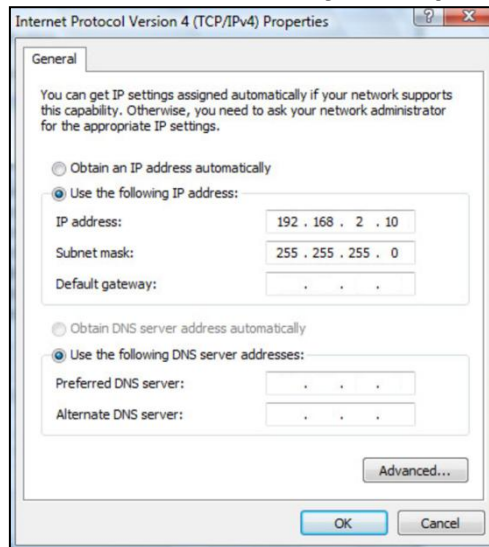



- 4.** Connect a computer to the designated AP Controller using an Ethernet cable.



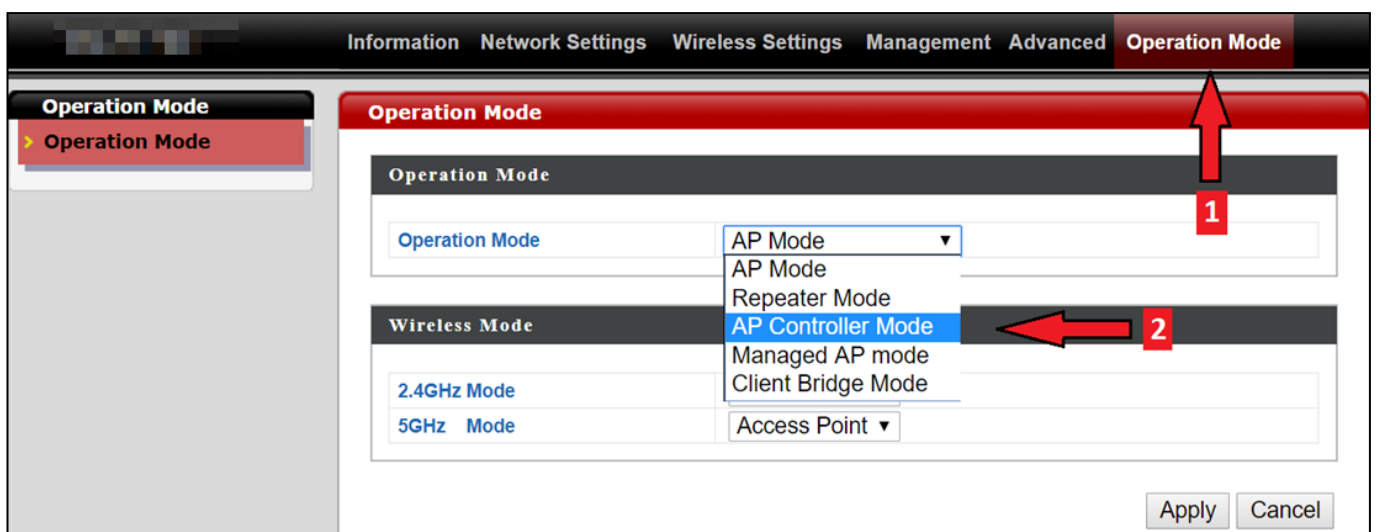
5. Open a web browser and enter the AP Controller's IP address in the address field. The default IP address is **192.168.2.2**

 ***Your computer's IP address must be in the same subnet as the AP Controller. Refer to the user manual for help.***



 ***If you changed the AP Controller's IP address, or if your gateway/router uses a DHCP server, ensure you enter the correct IP address. Refer to your gateway/router's settings.***

6. Enter the username & password to login. The default username & password are **admin** & **1234**.
7. You will arrive at the Edimax Pro NMS Dashboard. Go to **“Management”** → **“Operation Mode”** and select **“AP Controller Mode”** from the drop down menu.



8. Click “Apply” to save the settings.

Operation Mode

Operation Mode: AP Controller Mode ▾

Wireless Mode

2.4GHz Mode: Access Point ▾

5GHz Mode: Access Point ▾

Management

Self AP Management Mode: Disable ▾

Apply Cancel

9. Edimax Pro NMS includes a wizard to quickly setup the SSID & security for Managed APs. Click “Wizard” in the top right corner to begin.

Wizard Home | Logout | Global (English) ▾

10. Follow the instructions on-screen to complete **Steps 1-6** and click “**Finish**” to save the settings.

Step 1 2 3 4 5 6 Finish

Installation

Before start, please power on the managed APs and plug into the same Ethernet network with this AP Controller.

This Setup Wizard will guide you through a basic procedure to configure AP Controller system.

Next >> Cancel

Step 1 2 3 4 5 6 Finish

Local LAN-side IP Address

IP Address Assignment	DHCP Client ▾
IP Address	192.168.2.2
Subnet Mask	255.255.255.0
Default Gateway	From DHCP ▾
Primary DNS Address	From DHCP ▾
Secondary DNS Address	From DHCP ▾

<< Back Next >> Cancel

Step 1 > 2 > 3 > 4 > 5 > 6 > Finish

Date and Time Settings

Local Time: 2012 Year Jan Month 1 Day
 0 Hours 00 Minutes 00 Seconds

Acquire Current Time from Your PC

NTP Time Server

Use NTP Enable
 Auto Daylight Saving Enable
 Server Name: User-Defined
 Update Interval: 24 (Hours)

Time Zone

Time Zone: (GMT+08:00) Taipei, Taiwan

<< Back Next >> Cancel

Step 1 > 2 > 3 > 4 > 5 > 6 > Finish

Account to Manage This Device

Administrator Name: admin
 Administrator Password: (6-32 Characters)
 (Confirm)

<< Back Next >> Cancel

Step 1 > 2 > 3 > 4 > 5 > 6 > Finish

Select Free AP(s)

Search: Match whole words

<input type="checkbox"/>	MAC Address	Device Name	Model	IP Address	Status
<input checked="" type="checkbox"/>	74:DA:38:1D:26:4E	AP74DA381D264E	WAP1200	192.168.2.101	<input type="radio"/>

Managed AP(s)

Search: Match whole words

MAC Address	Device Name	Model	IP Address	Status
No Access Point List				

Rescan << Back Next >> Cancel

Step 1 > 2 > 3 > 4 > 5 > 6 > Finish

2.4GHz Settings

SSID:
 Security Key:

Guest Network Enable Disable

Guest SSID:
 Security Key:

5GHz Settings

Clone 2.4GHz Settings

SSID:
 Security Key:

Guest Network Enable Disable

Guest SSID:
 Security Key:

<< Back Next >> Cancel

Step 1 >> 2 >> 3 >> 4 >> 5 >> 6 >> **Finish**

Confirmation

Management IP

IP Address Assignment: DHCP Client

Date and Time

Local Time: 2012/01/01 00:00:00
Time Zone: (GMT+08:00) Taipei, Taiwan

Administrator Account

Administrator Name: admin

Managed AP(s)

MAC Address	Device Name	Model	IP Address	Status
74:DA:38:1D:26:4E	AP74DA381D264E	WAP1200	192.168.2.101	<input type="radio"/>

2.4GHz Settings

SSID: [Redacted]
Security Key: 12345678

5GHz Settings

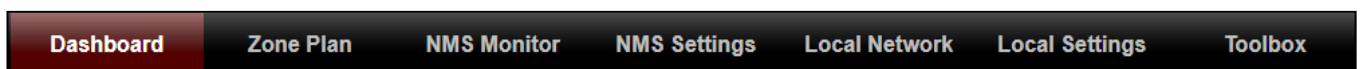
SSID: [Redacted]
Security Key: 12345678

<< Back Finish Cancel



If any of your Managed APs cannot be found, reset it to its factory default settings.

- 11.** Your AP Controller & Managed APs should be fully functional. Use the top menu to navigate around Edimax Pro NMS.



Use ***Dashboard, Zone Plan, NMS Monitor & NMS Settings*** to configure Managed APs.

Use ***Local Network & Local Settings*** to configure your AP Controller.

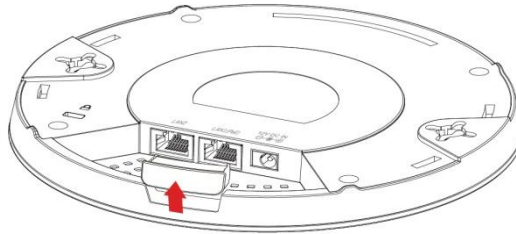


Refer to the user manual for more information.

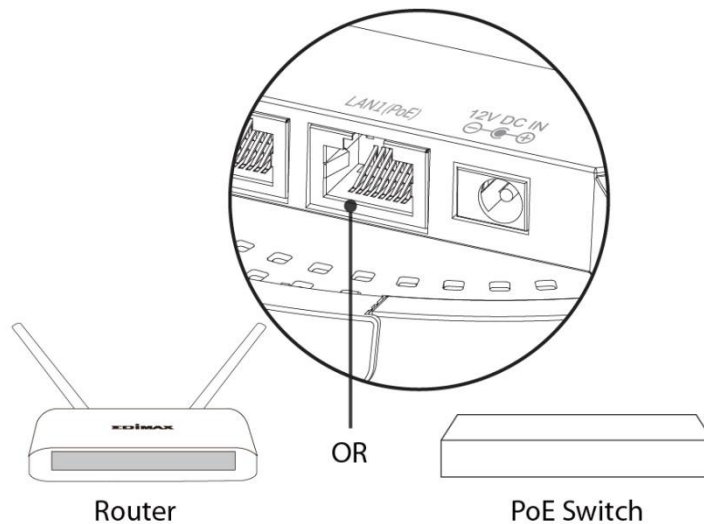
IV Hardware Installation

IV-1 Router/PoE Switch

1. If you need to, remove the cap from the underside of the access point. This creates extra space for your cables to pass through.



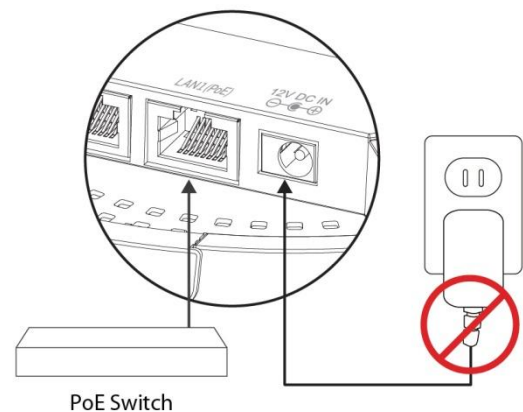
2. Connect a router or a PoE switch to the access point's **LAN 1** port using an Ethernet cable.



3. Power up the access point:
 - a) If router is used, connect the power adapter to the access point's 12V DC port and plug the power adapter into a power supply; or
 - b) If PoE (Power over Ethernet) switch is used, make sure the Ethernet cable is connected to **LAN1** port from the switch. The access point will be powered by the PoE switch.



Do not use the power adapter if you are using a PoE switch.



4. Connect a local network client or switch to the access point's **LAN 2** port as required.

COPYRIGHT

Copyright © Edimax Technology Co., Ltd. all rights reserved. No part of this publication may be reproduced, transmitted, transcribed, stored in a retrieval system, or translated into any language or computer language, in any form or by any means, electronic, mechanical, magnetic, optical, chemical, manual or otherwise, without the prior written permission from Edimax Technology Co., Ltd.

Edimax Technology Co., Ltd. makes no representations or warranties, either expressed or implied, with respect to the contents hereof and specifically disclaims any warranties, merchantability, or fitness for any particular purpose. Any software described in this manual is sold or licensed as is. Should the programs prove defective following their purchase, the buyer (and not this company, its distributor, or its dealer) assumes the entire cost of all necessary servicing, repair, and any incidental or consequential damages resulting from any defect in the software. Edimax Technology Co., Ltd. reserves the right to revise this publication and to make changes from time to time in the contents hereof without the obligation to notify any person of such revision or changes.

The product you have purchased and the setup screen may appear slightly different from those shown in this QIG. The software and specifications are subject to change without notice. Please visit our website www.edimax.com for updates. All brand and product names mentioned in this manual are trademarks and/or registered trademarks of their respective holders.

Federal Communication Commission Interference Statement

This equipment has been tested and found to comply with the limits for a Class B digital device, pursuant to Part 15 of FCC Rules. These limits are designed to provide reasonable protection against harmful interference in a residential installation. This equipment generates, uses, and can radiate radio frequency energy and, if not installed and used in accordance with the instructions, may cause harmful interference to radio communications. However, there is no guarantee that interference will not occur in a particular installation. If this equipment does cause harmful interference to radio or television reception, which can be determined by turning the equipment off and on, the user is encouraged to try to correct the interference by one or more of the following measures:

1. Reorient or relocate the receiving antenna.
2. Increase the separation between the equipment and receiver.
3. Connect the equipment into an outlet on a circuit different from that to which the receiver is connected.
4. Consult the dealer or an experienced radio technician for help.

FCC Caution

This device and its antenna must not be co-located or operating in conjunction with any other antenna or transmitter. This device complies with Part 15 of the FCC Rules. Operation is subject to the following two conditions: (1) this device may not cause harmful interference, and (2) this device must accept any interference received, including interference that may cause undesired operation. Any changes or modifications not expressly approved by the party responsible for compliance could void the authority to operate equipment.

Federal Communications Commission (FCC) Radiation Exposure Statement

This equipment complies with FCC radiation exposure set forth for an uncontrolled environment. In order to avoid the possibility of exceeding the FCC radio frequency exposure limits, human proximity to the antenna shall not be less than 2.5cm (1 inch) during normal operation.

Federal Communications Commission (FCC) RF Exposure Requirements

SAR compliance has been established in the laptop computer(s) configurations with PCMCIA slot on the side near the center, as tested in the application for certification, and can be used in laptop computer(s) with substantially similar physical dimensions, construction, and electrical and RF characteristics. Use in other devices such as PDAs or lap pads is not authorized. This transmitter is restricted for use with the specific antenna tested in the application for certification. The antenna(s) used for this transmitter must not be co-located or operating in conjunction with any other antenna or transmitter.

R&TTE Compliance Statement

This equipment complies with all the requirements of DIRECTIVE 1999/5/EC OF THE EUROPEAN PARLIAMENT AND THE COUNCIL of March 9, 1999 on radio equipment and telecommunication terminal equipment and the mutual recognition of their conformity (R&TTE). The R&TTE Directive repeals and replaces in the directive 98/13/EEC (Telecommunications Terminal Equipment and Satellite Earth Station Equipment) As of April 8, 2000.

Safety

This equipment is designed with the utmost care for the safety of those who install and use it. However, special attention must be paid to the dangers of electric shock and static electricity when working with electrical equipment. All guidelines of this and of the computer manufacture must therefore be allowed at all times to ensure the safe use of the equipment.

EU Countries Intended for Use


The ETSI version of this device is intended for home and office use in Austria, Belgium, Bulgaria, Cyprus, Czech, Denmark, Estonia, Finland, France, Germany, Greece, Hungary, Ireland, Italy, Latvia, Lithuania, Luxembourg, Malta, Netherlands, Poland, Portugal, Romania, Slovakia, Slovenia, Spain, Sweden, Turkey, and United Kingdom. The ETSI version of this device is also authorized for use in EFTA member states: Iceland, Liechtenstein, Norway, and Switzerland.

EU Countries Not Intended for Use

None

EU Declaration of Conformity

- English:** This equipment is in compliance with the essential requirements and other relevant provisions of Directive 1995/5/EC, 2009/125/EC, 2006/95/EC, 2011/65/EC.
- Français:** Cet équipement est conforme aux exigences essentielles et autres dispositions de la directive 1995/5/CE, 2009/125/CE, 2006/95/CE, 2011/65/CE.
- Čeština:** Toto zařízení je v souladu se základními požadavky a ostatními příslušnými ustanoveními směrnic 1995/5/ES, 2009/125/ES, 2006/95/ES, 2011/65/ES.
- Polski:** Urządzenie jest zgodne z ogólnymi wymaganiami oraz szczególnymi warunkami określonymi Dyrektywą UE 1995/5/EC, 2009/125/EC, 2006/95/EC, 2011/65/EC..
- Română:** Acest echipament este în conformitate cu cerințele esențiale și alte prevederi relevante ale Directivei 1995/5/CE, 2009/125/CE, 2006/95/CE, 2011/65/CE.
- Русский:** Это оборудование соответствует основным требованиям и положениям Директивы 1995/5/EC, 2009/125/EC, 2006/95/EC, 2011/65/EC.
- Magyar:** Ez a berendezés megfelel az alapvető követelményeknek és más vonatkozó irányelveknek (1995/5/EK, 2009/125/EK, 2006/95/EK, 2011/65/EK).
- Türkçe:** Bu cihaz 1995/5/EC, 2009/125/EC, 2006/95/EC, 2011/65/EC direktifleri zorunlu istekler ve diğer hükümlerle ile uyumludur.
- Українська:** Обладнання відповідає вимогам і умовам директиви 1995/5/EC, 2009/125/EC, 2006/95/EC, 2011/65/EC.
- Slovenčina:** Toto zariadenie spĺňa základné požiadavky a ďalšie príslušné ustanovenia smerníc 1995/5/ES, 2009/125/ES, 2006/95/ES, 2011/65/ES.
- Deutsch:** Dieses Gerät erfüllt die Voraussetzungen gemäß den Richtlinien 1995/5/EC, 2009/125/EC, 2006/95/EC, 2011/65/EC.
- Español:** El presente equipo cumple los requisitos esenciales de la Directiva 1995/5/EC, 2009/125/EC, 2006/95/EC, 2011/65/EC.
- Italiano:** Questo apparecchio è conforme ai requisiti essenziali e alle altre disposizioni applicabili della Direttiva 1995/5/CE, 2009/125/CE, 2006/95/CE, 2011/65/CE.
- Nederlands:** Dit apparaat voldoet aan de essentiële eisen en andere van toepassing zijnde bepalingen van richtlijn 1995/5/EC, 2009/125/EC, 2006/95/EC, 2011/65/EC..
- Português:** Este equipamento cumpre os requisitos essenciais da Directiva 1995/5/EC, 2009/125/EC, 2006/95/EC, 2011/65/EC.
- Norsk:** Dette utstyret er i samsvar med de viktigste kravene og andre relevante regler i Direktiv 1995/5/EC, 2009/125/EC, 2006/95/EC, 2011/65/EC.
- Svenska:** Denna utrustning är i överensstämmelse med de väsentliga kraven och övriga relevanta bestämmelser i direktiv 1995/5/EG, 2009/125/EG, 2006/95/EG, 2011/65/EG.
- Dansk:** Dette udstyr er i overensstemmelse med de væsentligste krav og andre relevante forordninger i direktiv 1995/5/EC, 2009/125/EC, 2006/95/EC, 2011/65/EC.
- suomen kieli:** Tämä laite täyttää direktiivien 1995/5/EY, 2009/125/EY, 2006/95/EY, 2011/65/EY oleelliset vaatimukset ja muut asiaankuuluvat määräykset.

FOR USE IN 



WEEE Directive & Product Disposal



At the end of its serviceable life, this product should not be treated as household or general waste. It should be handed over to the applicable collection point for the recycling of electrical and electronic equipment, or returned to the supplier for disposal.

Declaration of Conformity

We, Edimax Technology Co., Ltd., declare under our sole responsibility, that the equipment described below complies with the requirements of the European Radio Equipment Directive.

Equipment: AC1300 Ceiling Mount Access Point
Model No.: CAP1300

The following European standards for essential requirements have been followed:

Directives 2014/53/EU

Spectrum : N 300 328 V2.1.1 (2016-11);
EMC : Draft ETSI EN 301 489-1 V2.2.0 (2017-03);
Draft ETSI EN 301 489-17 V3.2.0 (2017-03);
EN 301 893 V2.1.1 (2017-05);

EMF : EN 62311:2008

Directives 2014/35/EU

Safety (LVD) : IEC 60950-1:2005 (2nd Edition);Am 1:2009+Am 2:2013
EN 60950-1:2006+A11:2009+A1:2010+A12:2011+A2:2013

Edimax Technology Co., Ltd.
No. 278, Xinhua 1st Rd., Neihu Dist.,
Taipei City, Taiwan



Date of Signature: Sep, 2017

Signature:

Printed Name:

Albert Chang

Title:

Director

Edimax Technology Co., Ltd.

Notice According to GNU General Public License Version 2

This product includes software that is subject to the GNU General Public License version 2. The program is free software and distributed without any warranty of the author. We offer, valid for at least three years, to give you, for a charge no more than the costs of physically performing source distribution, a complete machine-readable copy of the corresponding source code.

Das Produkt beinhaltet Software, die den Bedingungen der GNU/GPL-Version 2 unterliegt. Das Programm ist eine sog. „Free Software“, der Autor stellt das Programm ohne irgendeine Gewährleistungen zur Verfügung. Wir bieten Ihnen für einen Zeitraum von drei Jahren an, eine vollständige maschinenlesbare Kopie des Quelltextes der Programme zur Verfügung zu stellen – zu nicht höheren Kosten als denen, die durch den physikalischen Kopiervorgang anfallen.

GNU GENERAL PUBLIC LICENSE Version 2, June 1991

Copyright (C) 1989, 1991 Free Software Foundation, Inc. 51 Franklin Street, Fifth Floor, Boston, MA 02110-1301, USA
Everyone is permitted to copy and distribute verbatim copies of this license document, but changing it is not allowed.

Preamble

The licenses for most software are designed to take away your freedom to share and change it. By contrast, the GNU General Public License is intended to guarantee your freedom to share and change free software--to make sure the software is free for all its users. This General Public License applies to most of the Free Software Foundation's software and to any other program whose authors commit to using it. (Some other Free Software Foundation software is covered by the GNU Lesser General Public License instead.) You can apply it to your programs, too.

When we speak of free software, we are referring to freedom, not price. Our General Public Licenses are designed to make sure that you have the freedom to distribute copies of free software (and charge for this service if you wish), that you receive source code or can get it if you want it, that you can change the software or use pieces of it in new free programs; and that you know you can do these things.

To protect your rights, we need to make restrictions that forbid anyone to deny you these rights or to ask you to surrender the rights. These restrictions translate to certain responsibilities for you if you distribute copies of the software, or if you modify it.

For example, if you distribute copies of such a program, whether gratis or for a fee, you must give the recipients all the rights that you have. You must make sure that they, too, receive or can get the source code. And you must show them these terms so they know their rights.

We protect your rights with two steps: (1) copyright the software, and (2) offer you this license which gives you legal permission to copy, distribute and/or modify the software.

Also, for each author's protection and ours, we want to make certain that everyone understands that there is no warranty for this free software. If the software is modified by someone else and passed on, we want its recipients to know that what they have is not the original, so that any problems introduced by others will not reflect on the original authors' reputations.

Finally, any free program is threatened constantly by software patents. We wish to avoid the danger that redistributors of a free program will individually obtain patent licenses, in effect making the program proprietary. To prevent this, we have made it clear that any patent must be licensed for everyone's free use or not licensed at all.

The precise terms and conditions for copying, distribution and modification follow.

TERMS AND CONDITIONS FOR COPYING, DISTRIBUTION AND MODIFICATION

0. This License applies to any program or other work which contains a notice placed by the copyright holder saying it may be distributed under the terms of this General Public License. The "Program", below, refers to any such program or work, and a "work based on the Program" means either the Program or any derivative work under copyright law: that is to say, a work containing the Program or a portion of it, either verbatim or with modifications and/or translated into another language. (Hereinafter, translation is included without limitation in the term "modification".) Each licensee is addressed as "you".

Activities other than copying, distribution and modification are not covered by this License; they are outside its scope. The act of running the Program is not restricted, and the output from the Program is covered only if its contents constitute a work based on the Program (independent of having been made by running the Program). Whether that is true depends on what the Program does.

1. You may copy and distribute verbatim copies of the Program's source code as you receive it, in any medium, provided that you conspicuously and appropriately publish on each copy an appropriate copyright notice and disclaimer of warranty; keep

intact all the notices that refer to this License and to the absence of any warranty; and give any other recipients of the Program a copy of this License along with the Program.

You may charge a fee for the physical act of transferring a copy, and you may at your option offer warranty protection in exchange for a fee.

2. You may modify your copy or copies of the Program or any portion of it, thus forming a work based on the Program, and copy and distribute such modifications or work under the terms of Section 1 above, provided that you also meet all of these conditions:

- a) You must cause the modified files to carry prominent notices stating that you changed the files and the date of any change.
- b) You must cause any work that you distribute or publish, that in whole or in part contains or is derived from the Program or any part thereof, to be licensed as a whole at no charge to all third parties under the terms of this License.
- c) If the modified program normally reads commands interactively when run, you must cause it, when started running for such interactive use in the most ordinary way, to print or display an announcement including an appropriate copyright notice and a notice that there is no warranty (or else, saying that you provide a warranty) and that users may redistribute the program under these conditions, and telling the user how to view a copy of this License. (Exception: if the Program itself is interactive but does not normally print such an announcement, your work based on the Program is not required to print an announcement.)

These requirements apply to the modified work as a whole. If identifiable sections of that work are not derived from the Program, and can be reasonably considered independent and separate works in themselves, then this License, and its terms, do not apply to those sections when you distribute them as separate works. But when you distribute the same sections as part of a whole which is a work based on the Program, the distribution of the whole must be on the terms of this License, whose permissions for other licensees extend to the entire whole, and thus to each and every part regardless of who wrote it.

Thus, it is not the intent of this section to claim rights or contest your rights to work written entirely by you; rather, the intent is to exercise the right to control the distribution of derivative or collective works based on the Program.

In addition, mere aggregation of another work not based on the Program with the Program (or with a work based on the Program) on a volume of a storage or distribution medium does not bring the other work under the scope of this License.

3. You may copy and distribute the Program (or a work based on it, under Section 2) in object code or executable form under the terms of Sections 1 and 2 above provided that you also do one of the following:

- a) Accompany it with the complete corresponding machine-readable source code, which must be distributed under the terms of Sections 1 and 2 above on a medium customarily used for software interchange; or,
- b) Accompany it with a written offer, valid for at least three years, to give any third party, for a charge no more than your cost of physically performing source distribution, a complete machine-readable copy of the corresponding source code, to be distributed under the terms of Sections 1 and 2 above on a medium customarily used for software interchange; or,
- c) Accompany it with the information you received as to the offer to distribute corresponding source code. (This alternative is allowed only for noncommercial distribution and only if you received the program in object code or executable form with such an offer, in accord with Subsection b above.)

The source code for a work means the preferred form of the work for making modifications to it. For an executable work, complete source code means all the source code for all modules it contains, plus any associated interface definition files, plus the scripts used to control compilation and installation of the executable. However, as a special exception, the source code distributed need not include anything that is normally distributed (in either source or binary form) with the major components (compiler, kernel, and so on) of the operating system on which the executable runs, unless that component itself accompanies the executable.

If distribution of executable or object code is made by offering access to copy from a designated place, then offering equivalent access to copy the source code from the same place counts as distribution of the source code, even though third parties are not compelled to copy the source along with the object code.

4. You may not copy, modify, sublicense, or distribute the Program except as expressly provided under this License. Any attempt otherwise to copy, modify, sublicense or distribute the Program is void, and will automatically terminate your rights under this License. However, parties who have received copies, or rights, from you under this License will not have their licenses terminated so long as such parties remain in full compliance.

5. You are not required to accept this License, since you have not signed it. However, nothing else grants you permission to modify or distribute the Program or its derivative works. These actions are prohibited by law if you do not accept this License.

Therefore, by modifying or distributing the Program (or any work based on the Program), you indicate your acceptance of this License to do so, and all its terms and conditions for copying, distributing or modifying the Program or works based on it.

6. Each time you redistribute the Program (or any work based on the Program), the recipient automatically receives a license from the original licensor to copy, distribute or modify the Program subject to these terms and conditions. You may not impose any further restrictions on the recipients' exercise of the rights granted herein. You are not responsible for enforcing compliance by third parties to this License.

7. If, as a consequence of a court judgment or allegation of patent infringement or for any other reason (not limited to patent issues), conditions are imposed on you (whether by court order, agreement or otherwise) that contradict the conditions of this License, they do not excuse you from the conditions of this License. If you cannot distribute so as to satisfy simultaneously your obligations under this License and any other pertinent obligations, then as a consequence you may not distribute the Program at all. For example, if a patent license would not permit royalty-free redistribution of the Program by all those who receive copies directly or indirectly through you, then the only way you could satisfy both it and this License would be to refrain entirely from distribution of the Program.

If any portion of this section is held invalid or unenforceable under any particular circumstance, the balance of the section is intended to apply and the section as a whole is intended to apply in other circumstances.

It is not the purpose of this section to induce you to infringe any patents or other property right claims or to contest validity of any such claims; this section has the sole purpose of protecting the integrity of the free software distribution system, which is implemented by public license practices. Many people have made generous contributions to the wide range of software distributed through that system in reliance on consistent application of that system; it is up to the author/donor to decide if he or she is willing to distribute software through any other system and a licensee cannot impose that choice.

This section is intended to make thoroughly clear what is believed to be a consequence of the rest of this License.

8. If the distribution and/or use of the Program is restricted in certain countries either by patents or by copyrighted interfaces, the original copyright holder who places the Program under this License may add an explicit geographical distribution limitation excluding those countries, so that distribution is permitted only in or among countries not thus excluded. In such case, this License incorporates the limitation as if written in the body of this License.

9. The Free Software Foundation may publish revised and/or new versions of the General Public License from time to time. Such new versions will be similar in spirit to the present version, but may differ in detail to address new problems or concerns.

Each version is given a distinguishing version number. If the Program specifies a version number of this License which applies to it and "any later version", you have the option of following the terms and conditions either of that version or of any later version published by the Free Software Foundation. If the Program does not specify a version number of this License, you may choose any version ever published by the Free Software Foundation.

10. If you wish to incorporate parts of the Program into other free programs whose distribution conditions are different, write to the author to ask for permission. For software which is copyrighted by the Free Software Foundation, write to the Free Software Foundation; we sometimes make exceptions for this. Our decision will be guided by the two goals of preserving the free status of all derivatives of our free software and of promoting the sharing and reuse of software generally.

NO WARRANTY

11. BECAUSE THE PROGRAM IS LICENSED FREE OF CHARGE, THERE IS NO WARRANTY FOR THE PROGRAM, TO THE EXTENT PERMITTED BY APPLICABLE LAW. EXCEPT WHEN OTHERWISE STATED IN WRITING THE COPYRIGHT HOLDERS AND/OR OTHER PARTIES PROVIDE THE PROGRAM "AS IS" WITHOUT WARRANTY OF ANY KIND, EITHER EXPRESSED OR IMPLIED, INCLUDING, BUT NOT LIMITED TO, THE IMPLIED WARRANTIES OF MERCHANTABILITY AND FITNESS FOR A PARTICULAR PURPOSE. THE ENTIRE RISK AS TO THE QUALITY AND PERFORMANCE OF THE PROGRAM IS WITH YOU. SHOULD THE PROGRAM PROVE DEFECTIVE, YOU ASSUME THE COST OF ALL NECESSARY SERVICING, REPAIR OR CORRECTION.

12. IN NO EVENT UNLESS REQUIRED BY APPLICABLE LAW OR AGREED TO IN WRITING WILL ANY COPYRIGHT HOLDER, OR ANY OTHER PARTY WHO MAY MODIFY AND/OR REDISTRIBUTE THE PROGRAM AS PERMITTED ABOVE, BE LIABLE TO YOU FOR DAMAGES, INCLUDING ANY GENERAL, SPECIAL, INCIDENTAL OR CONSEQUENTIAL DAMAGES ARISING OUT OF THE USE OR INABILITY TO USE THE PROGRAM (INCLUDING BUT NOT LIMITED TO LOSS OF DATA OR DATA BEING RENDERED INACCURATE OR LOSSES SUSTAINED BY YOU OR THIRD PARTIES OR A FAILURE OF THE PROGRAM TO OPERATE WITH ANY OTHER PROGRAMS), EVEN IF SUCH HOLDER OR OTHER PARTY HAS BEEN ADVISED OF THE POSSIBILITY OF SUCH DAMAGES



EDIMAX
NETWORKING PEOPLE TOGETHER

The logo features the word "EDIMAX" in a bold, white, sans-serif font. A small red dot is positioned above the letter "I". Below the brand name, the tagline "NETWORKING PEOPLE TOGETHER" is written in a smaller, white, all-caps sans-serif font. The entire logo is centered on a black horizontal band. This band is decorated with a repeating pattern of white line-art icons, including a handshake, musical notes, a smiley face, a game controller, and various network symbols. Below the black band is a solid, dark purple horizontal bar.